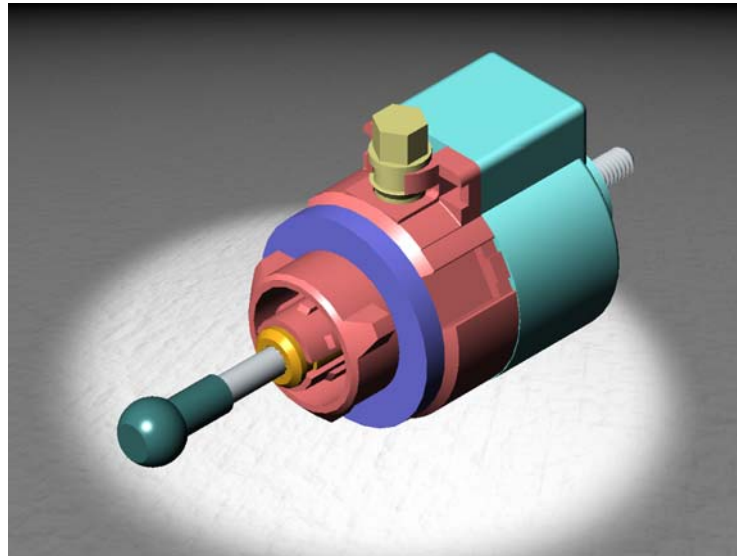


Product Data Sheet

Motorized Adjuster



Features

- Manual adjustment feature eliminates the need for an additional adjuster
- Mounts externally to the head lamp
- ¼-turn (3-lug or 4-lug) or screw mount installation feature for easy assembly
- Compact, modular design
- Vertical or horizontal adjustment
- Accommodates different input shaft heights, ball diameters and ball stud lengths
- Positive stop feature eliminates damage to headlamp from over travel
- High precision manual adjustment

Technical Specifications

- | | |
|----------------------------|--------------------------|
| • Motor type | Linear stepper, bi-polar |
| • Travel | 20 mm max. |
| • Step angle | 1.5 deg. |
| • Step/rev. | 24 |
| • Temp. range | -40 to 105 C |
| • Force range | 0 to 100 N |
| • Micro-stepping available | |

For additional information contact:

Brad McDonald
Sales Manager
ASYST Technologies, LLC
262-857-5124
bmcdonald@asysttech.com